

# Conduit Couplings

These UL listed Couplings (Splices) are intended to be used with liquidtight nonmetallic conduit Type-B (NM, NMHT, NMFG, and NM2). NM Conduit Couplings save time and money by easily conjoining two pieces of nonmetallic conduit while preserving their listing status. They are not to be used with Type-A (LNMP) conduit or steel conduit.



## Construction:

- UL and cUL listed
- Produced from UV-rated PVC material for long outdoor life.
- Simple, one-piece design.
- Designed to maintain superior liquidtight seal and optimum pull strength.

## Application:

- Reduce conduit waste, no need to throw away odd length pieces.
- Simply screw the coupling into two pieces simultaneously to make one continuous length.
- Snake long lengths of conduit with ease by cutting the conduit, placing w and reconnecting.

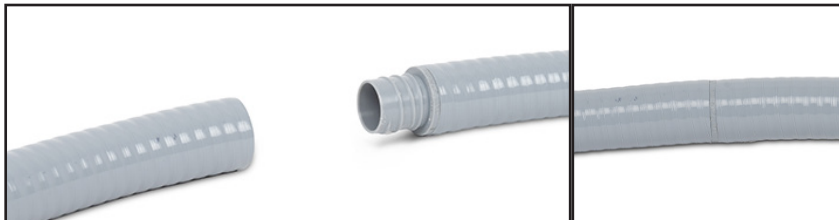
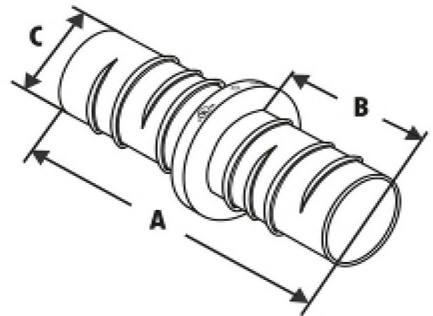
## Product Information

### CERTIFICATIONS & COMPLIANCE

 Listed E197675

UL514b & UL1660 / CSA  
22.2 No. 227.2

UL94-V2



## Product Table

US Trade Size	Type	Part #	Std. Package	Weight	Dim. A		Dim. B		Dim. C	
					inches	metric	inches	metric	inches	metric
3/8"	Couplings	90815	100	2 lbs.	1.725"	43.8 mm	0.800"	20.3 mm	0.485"	12.3 mm
1/2"	Couplings	90816	100	2 lbs.	1.725"	43.8 mm	0.800"	20.3 mm	0.625"	15.9 mm
3/4"	Couplings	90818	100	3 lbs.	1.725"	43.8 mm	0.800"	20.3 mm	0.825"	21.0 mm
1"	Couplings	90819	100	4 lbs.	1.75"	43.8 mm	0.800"	20.3 mm	1.045"	26.5 mm