

# Type CF & CFF 90 Degree Connectors

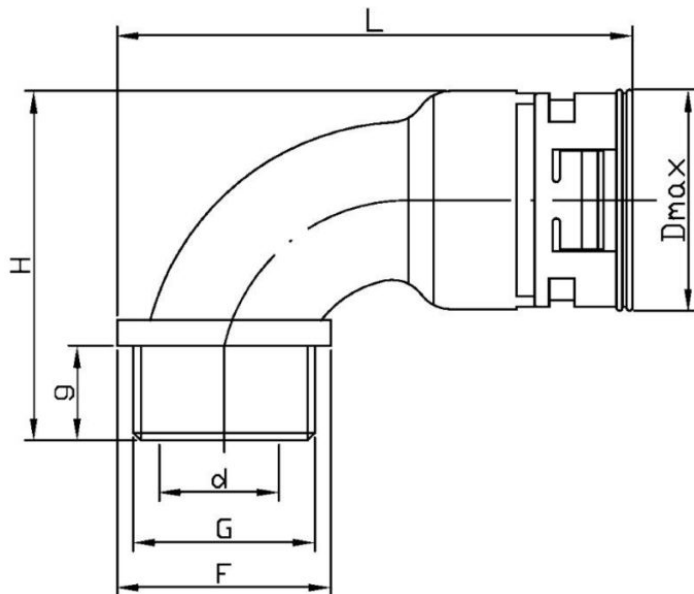


Part of the **CORRLOK® / Reiku Nylon System**.

Type CF and CFF nonmetallic 90° connectors are UL Recognized and intended to be used with Corrlok corrugated nylon Mechanical Protection Tubing (MPT) Types CL, CLR and CLFR. They are used as a UL / CSA component within OEM equipment.

## Construction:


- Made from a specially compounded homogenous flame retardant nylon 6 material
- IP 67 Ingress Protection
- NPT Threads on 3/8" through 1-1/2"
- One piece construction. No tools or clips to lose
- Angled connectors provide smooth "sweep" radius
- Provided with steel locknut
- CFF Flanged connectors are provided with seals and clamps



**CF 90 DEGREE FITTING PROFILE**

## Product Information

### CERTIFICATIONS & COMPLIANCE

 Conforms to UL 1696 CSA 22.2 No. 227.2 Harmonized Standard

UL File # E 168970



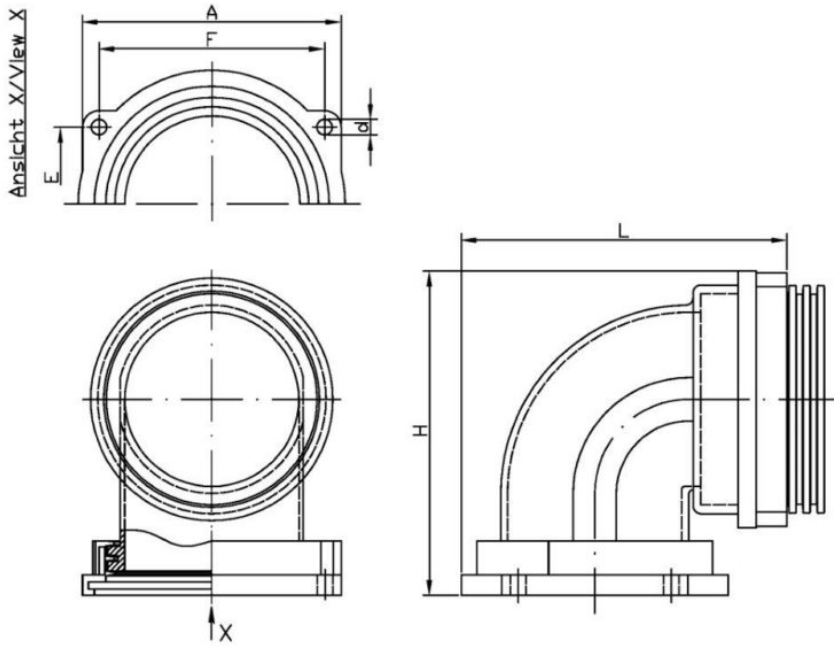
WEEE and RoHS Compliant

### STANDARD COLORS

Black

### WORKING TEMPERATURES:

-40°C to 105°C Intermittent to 150°C



## CFF 90 DEGREE FITTING PROFILE

### Product Table

U.S. Trade Size	MM	NW	Cat. #	Reiku Part #n Black	Dimensions							lb/100pieces	Std. Qty.
					Nn(NPT thread)	dn(in)	gn(in)	Dn(in)	Ln(in)	Hn(in)	Fn(in)		
3/8"	16	12	CF-20	VP B R B-12N02	1/2"	0.46	0.40	0.96	2.32	1.6	0.96	2.8	50
1/2"	20	17	CF-21	VP B R B-17N02	1/2"	0.55	0.47	1.19	2.73	1.87	1.05	4.4	50
3/4"	25	23	CF-22	VP B R B-23N04	3/4"	0.76	0.59	1.56	3.42	2.34	1.37	7.4	30
1"	32	29	CF-23	VP B R B-29N06	1"	0.98	0.55	1.79	3.78	2.54	1.66	11.0	30
1-1/4"	40	36	CF-24	VP B R B-36N07	1-1/4"	1.11	0.59	2.18	4.35	3.08	1.93	23.0	10
1-1/2"	50	48	CF-25	VP B R B-48N08	1-1/2"								10

### Product Table

U.S. Trade Size	MM	NW	Cat. #	Reiku Part #		Dimensions							Std. Qty.
				Grey	Black	An(in)	Bn(in)	Hn(in)	En(in)	Fn(in)	Ln(in)	dn(in)	
2-1/2"	70	70	CFF-27	PA W O G-70	PA W O B-70	3.74	4.41	4.68	2.34	3.12	5.34	0.25	10
3-1/2"	95	95	CFF-350A	PA W O G-95	PA W O B-95	4.97	5.66	5.85	2.89	4.21	6.79	0.25	10

### related products



Type CL



Type CLR

CL is a nonmetallic UL Recognized nylon corrugated Mechanical Protection Tubing (MPT) designed for the support and routing of conductors and cables. It is used as a UL / CSA component within OEM equipment.

[see product detail »](#)



## Type CLFR

CLFR is a Low Fire Hazard nonmetallic nylon corrugated Mechanical Protection Tubing (MPT) designed for the support and routing of conductors and cables.

[see product detail »](#)

CLR is a nonmetallic nylon corrugated Mechanical Protection Tubing (MPT) designed for the support and routing of conductors and cables.

[see product detail »](#)



## Type CF & CFF Straight

### Connectors

Type CF and CFF nonmetallic straight connectors are UL Recognized and intended to be used with Corrlok corrugated nylon Mechanical Protection Tubing (MPT) Types CL, CLR and CLFR. They are used as a UL / CSA component within OEM equipment.

[see product detail »](#)