



Type CF & CFF 90 Degree Connectors



Part of the **CORRLOK® / Reiku Nylon System**.

Type CF and CFF nonmetallic 90° connectors are UL Recognized and intended to be used with Corrluk corrugated nylon Mechanical Protection Tubing (MPT) Types CL, CLR and CLFR. They are used as a UL / CSA component within OEM equipment.

Construction:


- Made from a specially compounded homogenous flame retardant nylon 6 material
- IP 67 Ingress Protection
- NPT Threads on 3/8" through 1-1/2"
- PG Threads on 1/4" and 5/16"
- One piece construction. No tools or clips to lose
- Angled connectors provide smooth "sweep" radius
- Provided with steel locknut
- CFF Flanged connectors are provided with seals and clamps
- These connectors are intended for use with the CORRLOK® / Reiku System conduit.

Markets:

Aerospace, Rail/Transit, Renewable Energy, Robotics, Telecommunications

Product Information

CERTIFICATIONS & COMPLIANCE

 Conforms to UL 1696 CSA 22.2 No. 227.2 Harmonized Standard

UL File # E 168970



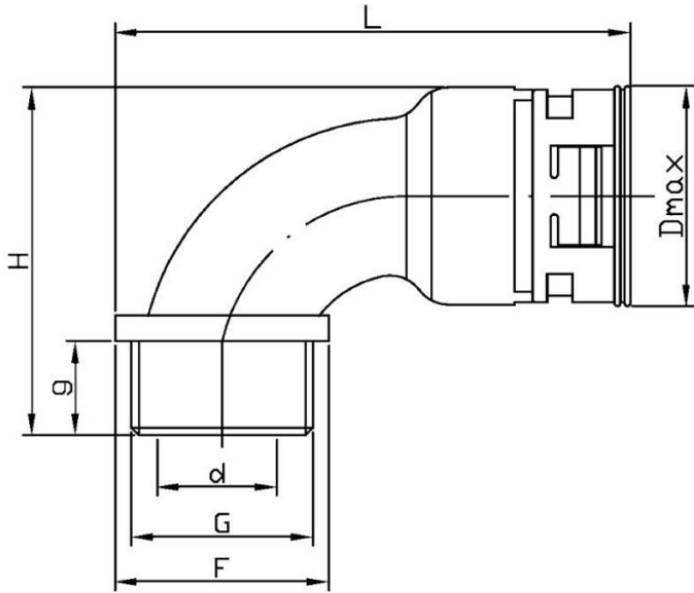
WEEE and RoHS Compliant

STANDARD COLORS

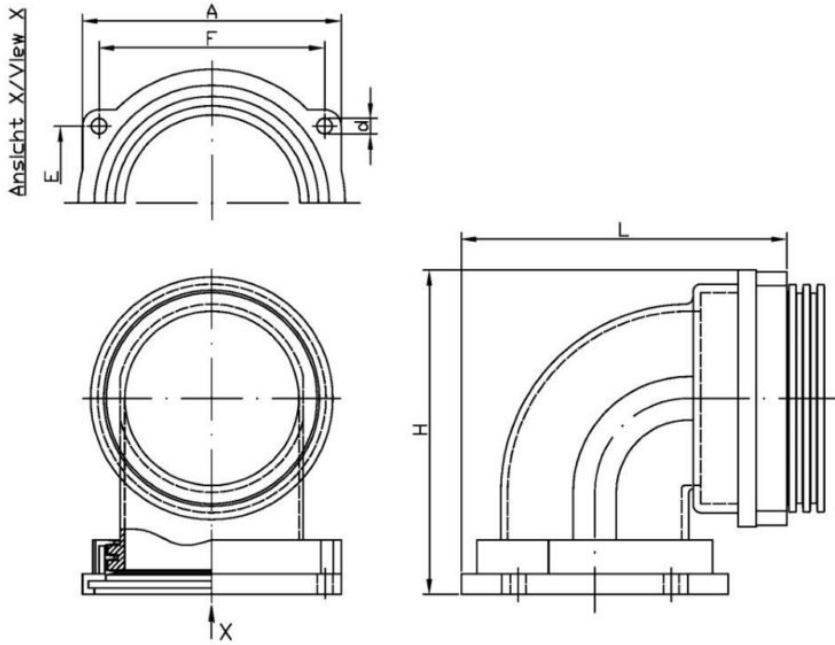
Black

WORKING TEMPERATURES:

-40°C to 105°C Intermittent to 150°C



CF 90 DEGREE FITTING PROFILE



CFF 90 DEGREE FITTING PROFILE

Product Table

U.S. Trade Size		3/8"	1/2"	3/4"	1"	1-1/4"	1-1/2"
MM		16	20	25	32	40	50
NW		12	17	23	29	36	48
Cat. #		CF-20	CF-21	CF-22	CF-23	CF-24	CF-25
Reiku Part #n Black		VPBRB-12N02	VPBRB-17N02	VPBRB-23N04	VPBRB-29N06	VPBRB-36N07	VPBRB-48N08
Dimensions	Nn(NPT thread)	1/2"	1/2"	3/4"	1"	1-1/4"	1-1/2"
	dn(in)	0.46	0.55	0.76	0.98	1.11	
	gn(in)	0.40	0.47	0.59	0.55	0.59	
	Dn(in)	0.96	1.19	1.56	1.79	2.18	
	Ln(in)	2.32	2.73	3.42	3.78	4.35	
	Hn(in)	1.6	1.87	2.34	2.54	3.08	
	Fn(in)	0.96	1.05	1.37	1.66	1.93	
lb/100pieces		2.8	4.4	7.4	11.0	23.0	
Std. Pack n(Small)		25	25	10	10	5	2
Std. Packn(Large)		100	50	30	20	10	10

Product Table

U.S. Trade Size		2-1/2"	3-1/2"
MM		70	95
NW		70	95
Cat. #		CFF-27	CFF-350A
Reiku Part #	Grey	PAWOG-70	PAWOG-95
	Black	PAWOB-70	PAWOB-95
Dimensions	An(in)	3.74	4.97
	Bn(in)	4.41	5.66
	Hn(in)	4.68	5.85
	En(in)	2.34	2.89
	Fn(in)	3.12	4.21
	Ln(in)	5.34	6.79
	dn(in)	0.25	0.25
LB/EACH		0.4	0.7
STD. PACK n(SMALL)		1	1
STD. PACK n(LARGE)		N/A	N/A

related products



Type CL



Type CLR

CL is a nonmetallic UL Recognized nylon corrugated Mechanical Protection Tubing (MPT) designed for the support and routing of conductors and cables. It is used as a UL / CSA component within OEM equipment.

[see product detail »](#)



Type CLFR

CLFR is a Low Fire Hazard nonmetallic nylon corrugated Mechanical Protection Tubing (MPT) designed for the support and routing of conductors and cables.

[see product detail »](#)

CLR is a nonmetallic nylon corrugated Mechanical Protection Tubing (MPT) designed for the support and routing of conductors and cables.

[see product detail »](#)



Type CF & CFF Straight Connectors

Type CF and CFF nonmetallic straight connectors are UL Recognized and intended to be used with Corrllok corrugated nylon Mechanical Protection Tubing (MPT) Types CL, CLR and CLFR. They are used as a UL / CSA component within OEM equipment.

[see product detail »](#)