



Type CF & CFF 90 Degree Connectors



Part of the **CORRLOK® / Reiku Nylon System**.

Type CF and CFF nonmetallic 90° connectors are UL Recognized and intended to be used with Corrllok corrugated nylon Mechanical Protection Tubing (MPT) Types CL, CLR and CLFR. They are used as a UL / CSA component within OEM equipment.

Construction:


- Made from a specially compounded homogenous flame retardant nylon 6 material
- IP 67 Ingress Protection
- NPT Threads on 3/8" through 1-1/2"
- PG Threads on 1/4" and 5/16"
- One piece construction. No tools or clips to lose
- Angled connectors provide smooth "sweep" radius
- Provided with steel locknut
- CFF Flanged connectors are provided with seals and clamps
- These connectors are intended for use with the CORRLOK® / Reiku System conduit.

Markets:

Aerospace, Rail/Transit, Renewable Energy, Robotics, Telecommunications

Product Information

CERTIFICATIONS & COMPLIANCE

 Conforms to UL 1696 CSA 22.2 No. 227.2 Harmonized Standard

UL File # E 168970



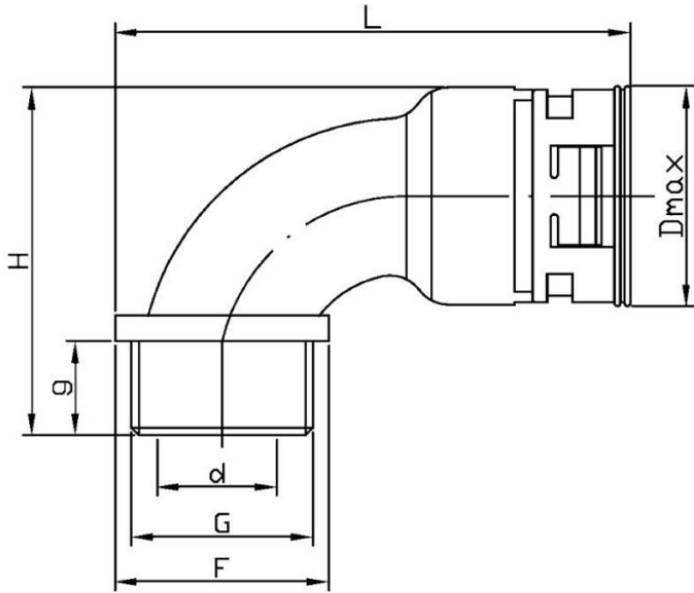
WEEE and RoHS Compliant

STANDARD COLORS

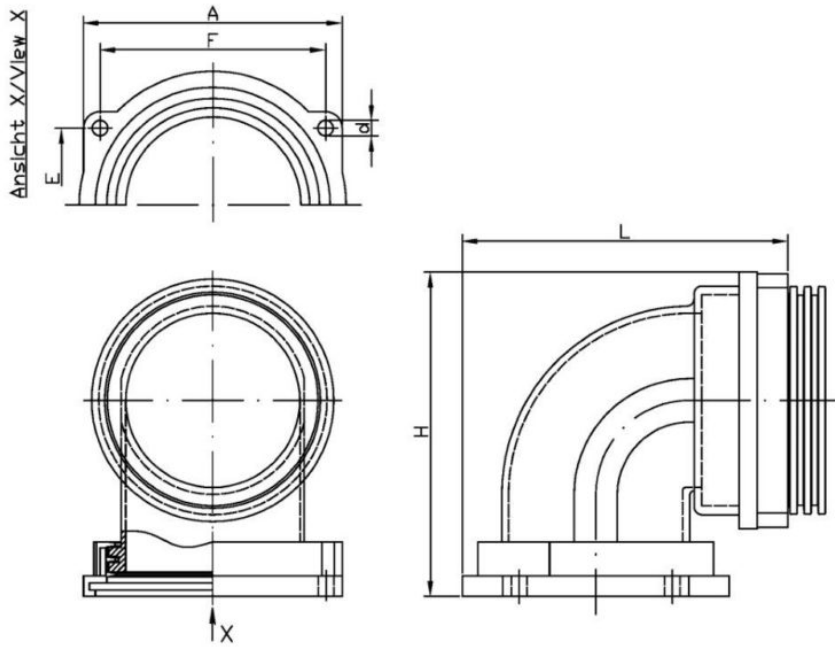
Black

WORKING TEMPERATURES:

-40°C to 105°C Intermittent to 150°C



CF 90 DEGREE FITTING PROFILE



CFF 90 DEGREE FITTING PROFILE

Product Table

U.S. Trade Size		1/4"	5/16"	3/8"	1/2"	3/4"	1"	1-1/4"	1-1/2"
MM		10	12	16	20	25	32	40	50
NW		7	10	12	17	23	29	36	48
Cat. #		CF-140A	CF-516A	CF-20	CF-21	CF-22	CF-23	CF-24	CF-25
Reiku Part # Black		PA W V B-07P07	VP BRB-10P09	VP BRB-12N02	VP BRB-17N02	VP BRB-23N04	VP BRB-29N06	VP BRB-36N07	VP BRB-48N08
Dimensions	N (NPT thread)	PG-7	PG-9	1/2"	1/2"	3/4"	1"	1-1/4"	1-1/2"
	d (in)	0.28	0.39	0.46	0.55	0.76	0.98	1.11	
	g (in)	0.32	0.43	0.40	0.47	0.59	0.55	0.59	
	D (in)	0.68	0.83	0.96	1.19	1.56	1.79	2.18	
	L (in)	1.75	2.20	2.32	2.73	3.42	3.78	4.35	
	H (in)	1.17	1.48	1.6	1.87	2.34	2.54	3.08	
	F (in)	0.69	0.79	0.96	1.05	1.37	1.66	1.93	
lb/100 pieces		1.6	1.6	2.8	4.4	7.4	11.0	23.0	
Std. Pack (Small)		25	25	25	25	10	10	5	2
Std. Pack (Large)		100	100	100	50	30	20	10	10

Product Table

U.S. Trade Size		2-1/2"	3-1/2"
MM		70	95
NW		70	95
Cat. #		CFF-27	CFF-350A
Reiku Part #	Black	PA W O B-70	PA W O B-95
Dimensions	A (in)	3.74	4.97
	B (in)	4.41	5.66
	H (in)	4.68	5.85
	E (in)	2.34	2.89
	F (in)	3.12	4.21
	L (in)	5.34	6.79
	d (in)	0.25	0.25
LB/EACH		0.4	0.7
STD. PACK (SMALL)		1	1
STD. PACK (LARGE)		N/A	N/A

related products



Type CL

CL is a nonmetallic UL Recognized nylon corrugated Mechanical Protection Tubing (MPT) designed for the support and routing of conductors and cables. It is used as a UL / CSA component within OEM equipment.

[see product detail »](#)



Type CLFR

CLFR is a Low Fire Hazard nonmetallic nylon corrugated Mechanical Protection Tubing (MPT) designed for the support and routing of conductors and cables.

[see product detail »](#)

Type CLR

CLR is a nonmetallic nylon corrugated Mechanical Protection Tubing (MPT) designed for the support and routing of conductors and cables.

[see product detail »](#)



Type CF & CFF Straight Connectors

Type CF and CFF nonmetallic straight connectors are UL Recognized and intended to be used with Corrlok corrugated nylon Mechanical Protection Tubing (MPT) Types CL, CLR and CLFR. They are used as a UL / CSA component within OEM equipment.

[see product detail »](#)