



Type CF & CFF Straight Connectors



Part of the **CORRLOK® / Reiku Nylon System**.

Type CF and CFF nonmetallic straight connectors are UL Recognized and intended to be used with Corlok corrugated nylon Mechanical Protection Tubing (MPT) Types CL, CLR and CLFR. They are used as a UL / CSA component within OEM equipment.

Construction:


- Made from a specially compounded homogenous flame retardant nylon 6 material
- IP 67 Ingress Protection
- NPT Threads on 3/8" through 1-1/2"
- PG Threads on 1/4" and 5/16"
- One piece construction. No tools or clips to lose
- Provided with steel locknut
- CFF Flanged connectors are provided with seals and clamps
- These connectors are intended for use with the CORRLOK® / Reiku System conduit.

Markets:

Aerospace, Rail/Transit, Renewable Energy, Robotics, Telecommunications

Product Information

CERTIFICATIONS & COMPLIANCE

 Conforms to UL 1696 CSA 22.2 No. 227.2 Harmonized Standard

UL File # E 168970



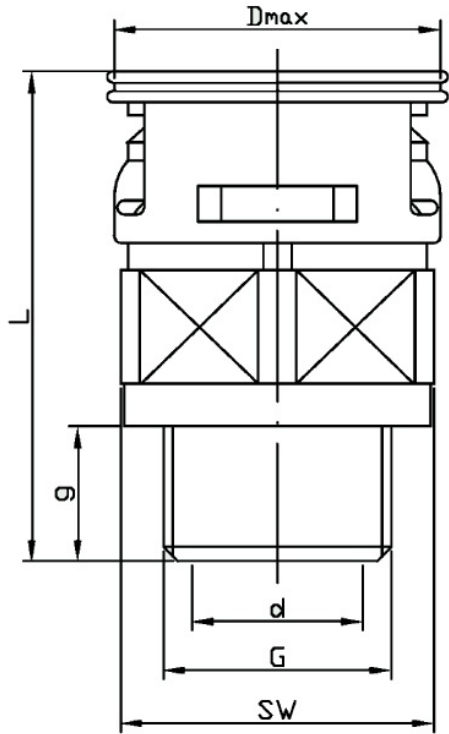
WEEE and RoHS Compliant

STANDARD COLORS

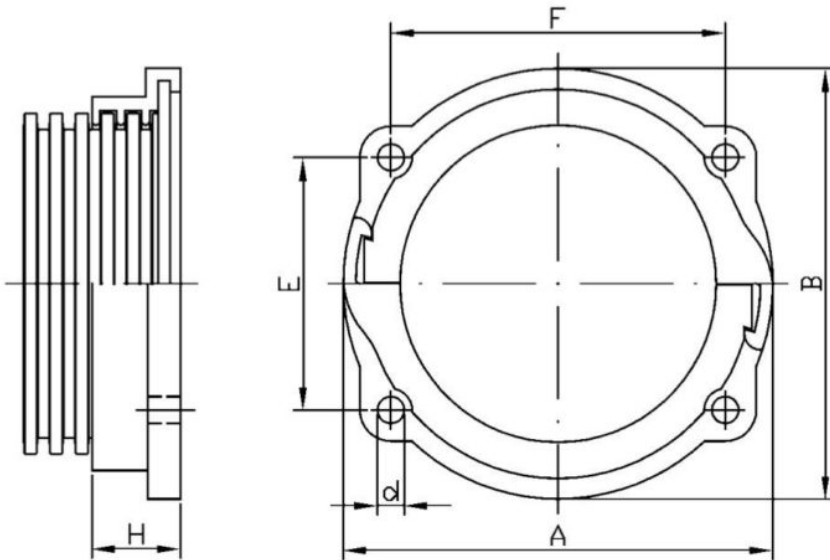
Black

WORKING TEMPERATURES:

-40°C to 105°C Intermittent to 150°C



CF Straight Fitting Profile



CFF Straight Fitting Profile

Product Table

U.S. Trade Size	MM	NW	Cat. #	Reiku part # Black	Dimensions						lb/100 pieces	Std. Pack (Small)	Std. Pack (Large)
					N (NPT thread)	d (in)	g (in)	Dmax (in)	L (in)	SW (in)			
1/4"	10	7	CF-140	PAGVB-07P07	PG-7	0.28	0.32	0.69	1.36	0.59	1.6	25	100
5/16"	12	10	CF-516	VPGRB-10P09	PG-9	0.44	0.47	0.83	1.44	0.75	1.6	25	100
3/8"	16	12	CF-10	VPGRB-12N02	1/2"	0.58	0.40	1.05	1.48	0.87	1.6	25	100
1/2"	20	17	CF-11	VPGRB-17N02	1/2"	0.59	0.40	1.20	1.65	1.06	2.4	25	100
3/4"	25	23	CF-12	VPGRB-23N04	3/4"	0.78	0.45	1.57	2.07	1.42	4.6	25	50
1"	32	29	CF-13	VPGRB-29N06	1"	1.00	0.43	1.81	2.11	1.61	6.1	10	30
1-1/4"	40	36	CF-14	VPGRB-36N07	1-1/4"	1.28	0.44	2.24	2.34	1.97	9.1	5	20
1-1/2"	50	48	CF-15	VPGRB-48N08	1-1/2"	1.54	0.44	2.87	2.52	2.56	15.5	2	10

Product Table

U.S. Trade Size	MM	NW	Cat. #	Reiku Part # Black	Dimensions						LB/EACH	STD. PACK (SMALL)	STD. PACK (LARGE)
					A (in)	B (in)	H (in)	E (in)	F (in)	d (in)			
2-1/2"	70	70	CFF-17	PAGOB-70	4.02	4.02	0.82	2.38	3.16	0.25	0.1	1	N/A
3-1/2"	95	95	CFF-350	PAGOB-95	5.07	5.07	1.09	2.89	4.25	0.25	0.2	1	N/A

related products



Type CL

CL is a nonmetallic UL Recognized nylon corrugated Mechanical Protection Tubing (MPT) designed for the support and routing of conductors and cables. It is used as a UL / CSA component within OEM equipment.

[see product detail »](#)



Type CLR

CLR is a nonmetallic nylon corrugated Mechanical Protection Tubing (MPT) designed for the support and routing of conductors and cables.

[see product detail »](#)



Type CLFR

CLFR is a Low Fire Hazard nonmetallic nylon corrugated Mechanical Protection Tubing (MPT) designed for the support and routing of conductors and cables.

[see product detail »](#)



Type CF & CFF 90 Degree Connectors

Type CF and CFF nonmetallic 90° connectors are UL Recognized and intended to be used with Corlok corrugated nylon Mechanical